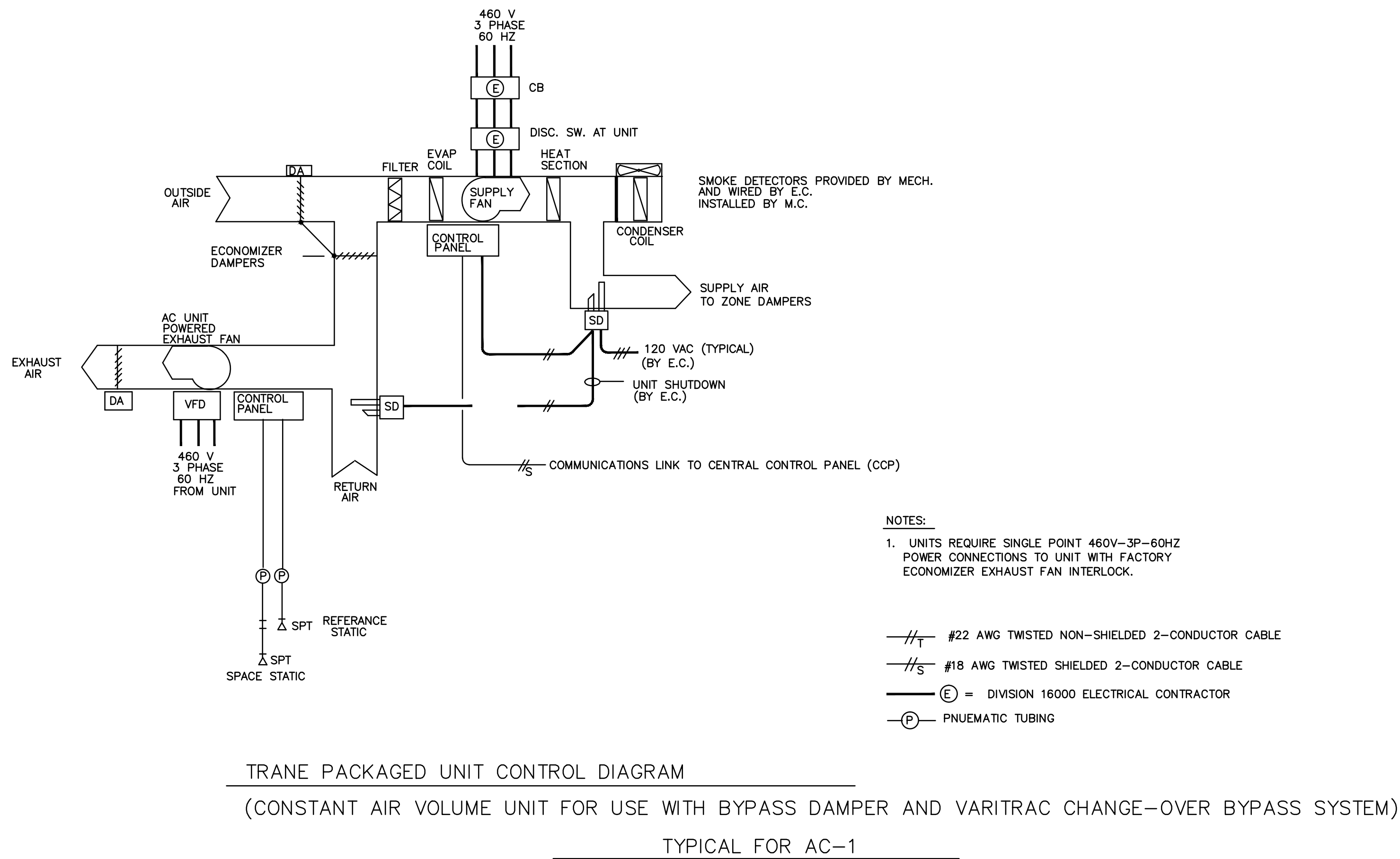


TYPICAL "VVT"-TYPE UNIT DIAGRAM

SCALE NONE 2

AC-1 SEQUENCE OF OPERATIONS

SCALE NONE 1



TYPICAL UNIT DIAGRAM

SCALE NONE 3

INTENTIONALLY LEFT BLANK

SCALE NONE -

PRIME CONTRACTOR: POJUAQUE PUEBLO SERVICES



GLENDALE OFFICE  
 2011  
 CAMARILLO OFFICE  
 4001  
 9353  
 9760  
 9471



DESIGN FOR:  
**BUILDING 1408**  
**REPLACE CHILLER, BOILER AND AHU'S**  
 EDWARDS AIR FORCE BASE, CALIFORNIA 93523-8450

QUOTE/DWG #:	
DRAWN BY:	TS
CHECKED BY:	
DATE:	12/05/2008
SCALE:	AS NOTED
REVISION HISTORY	
1	
2	
3	
4	
5	
PROJECT	FA9301-06-D-0010

M4.2

RECORD DRAWINGS  
 SUBMITTED 11/21/2008

J:\08-038 - EWB Building 1408 - Chiller, Boiler, AHU's - Western\08-038 - M4.2 controls.dwg, 11/21/2008 9:25:06 AM