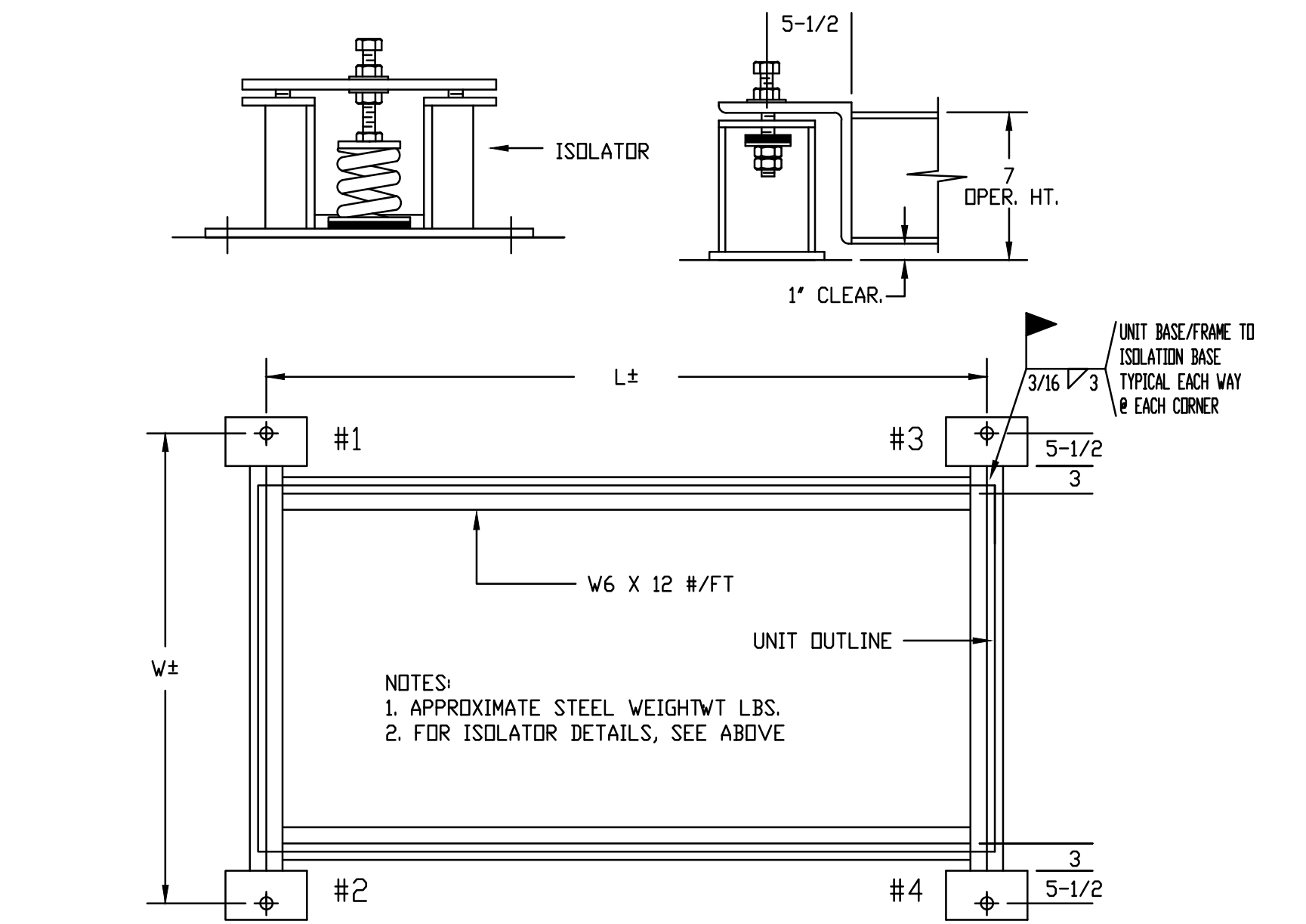
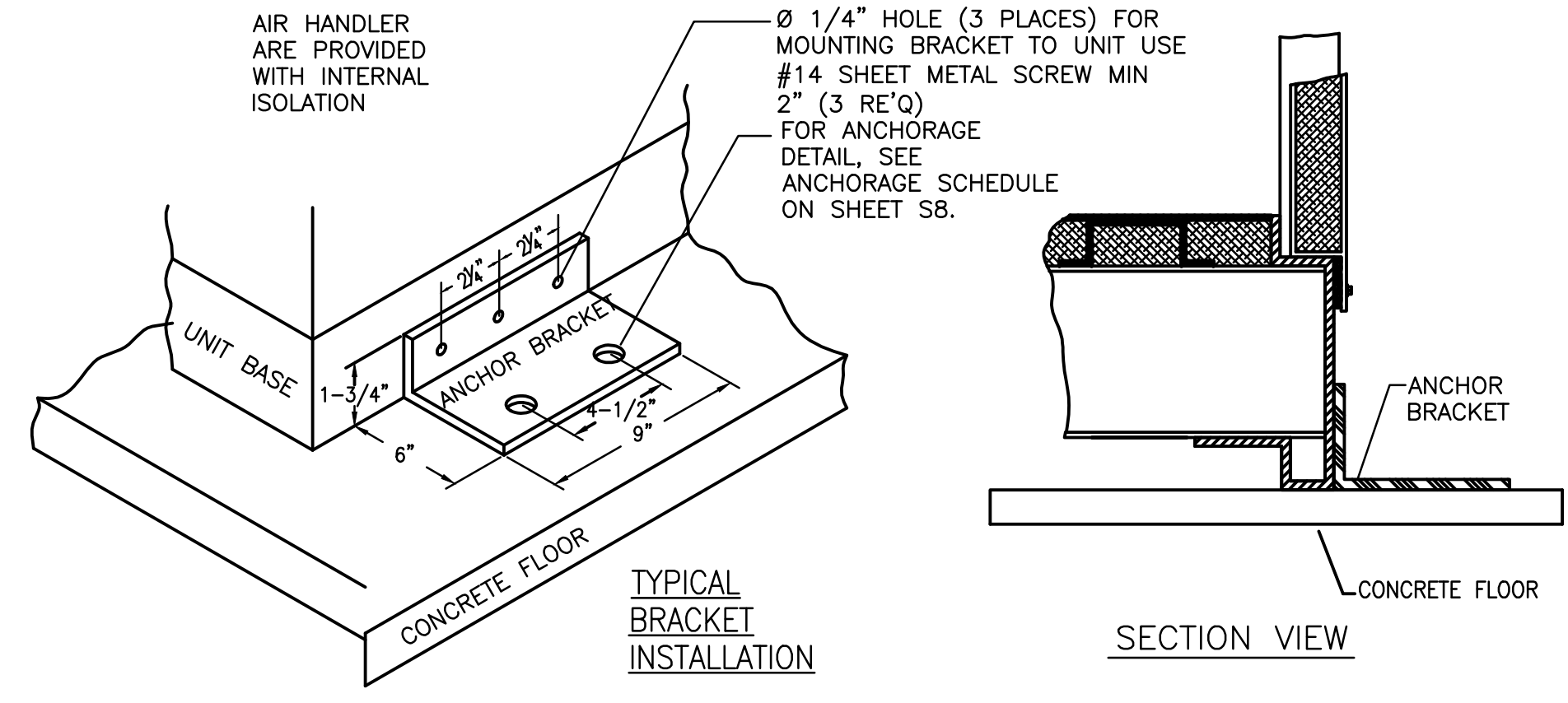


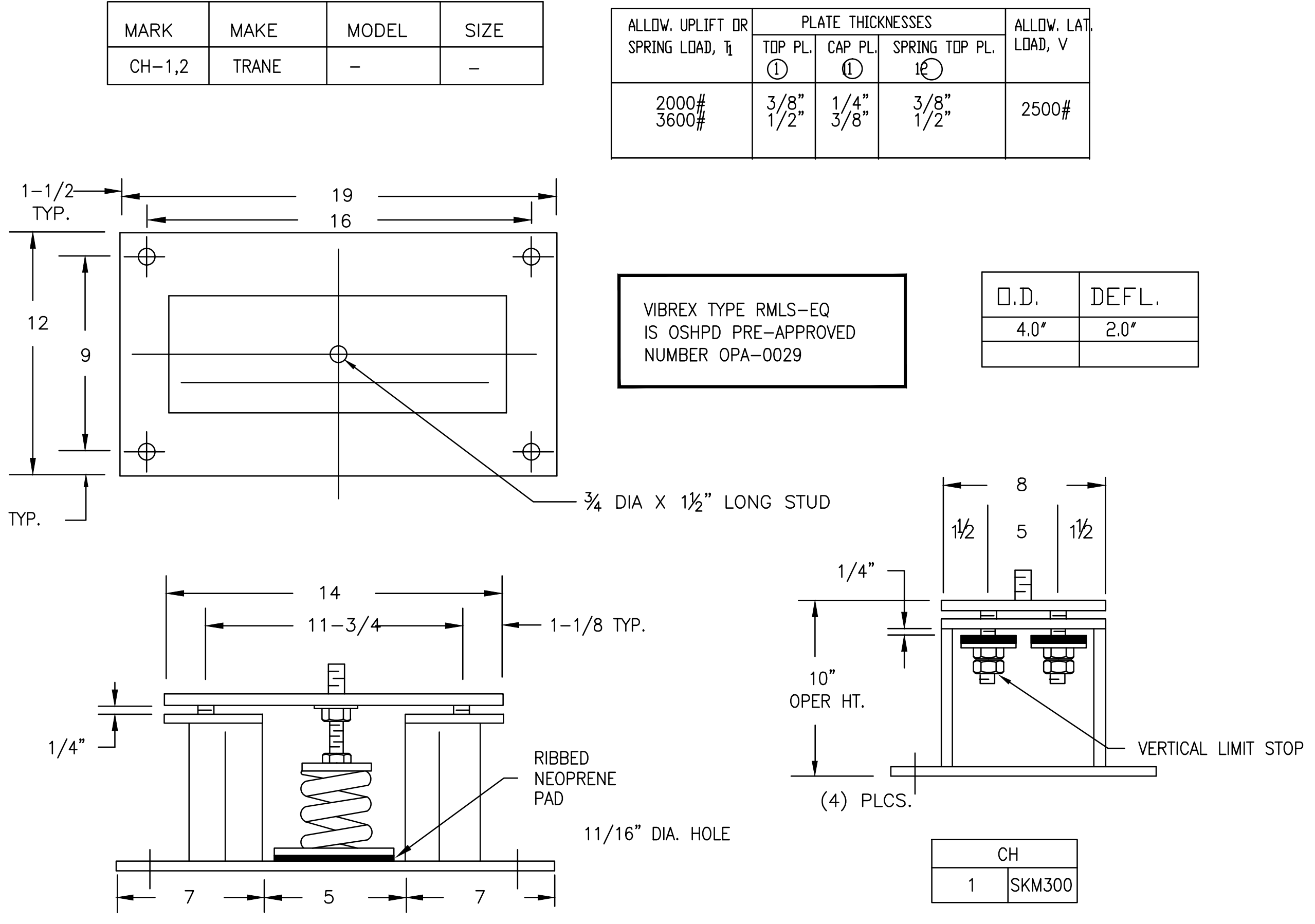
MARK	MAKE	MODEL	SIZE	L	W	WT
	trane	-	vareys	101	78	360 LBS.



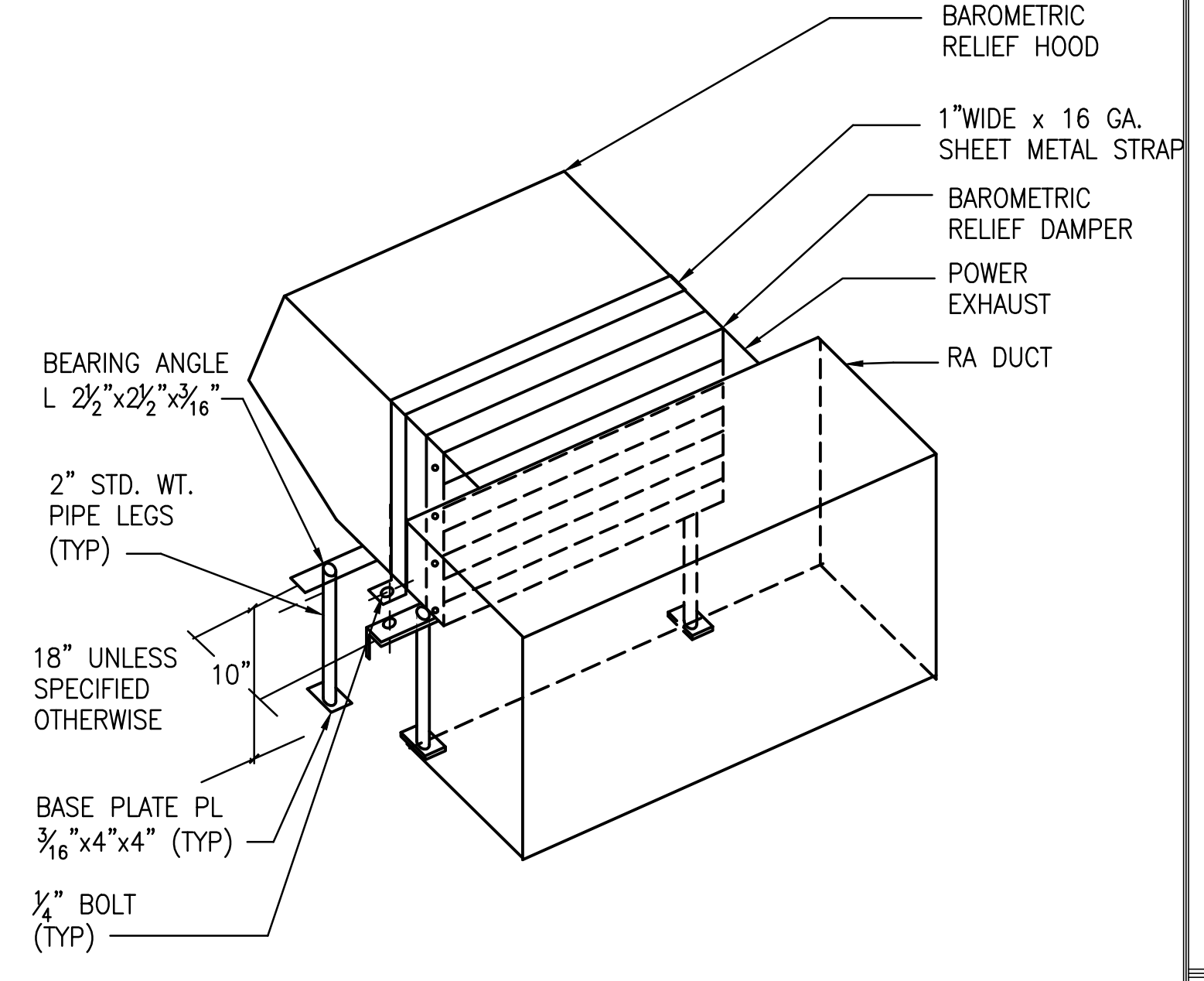
TYPICAL SIDE DISCHARGE AC UNIT MOUNTING



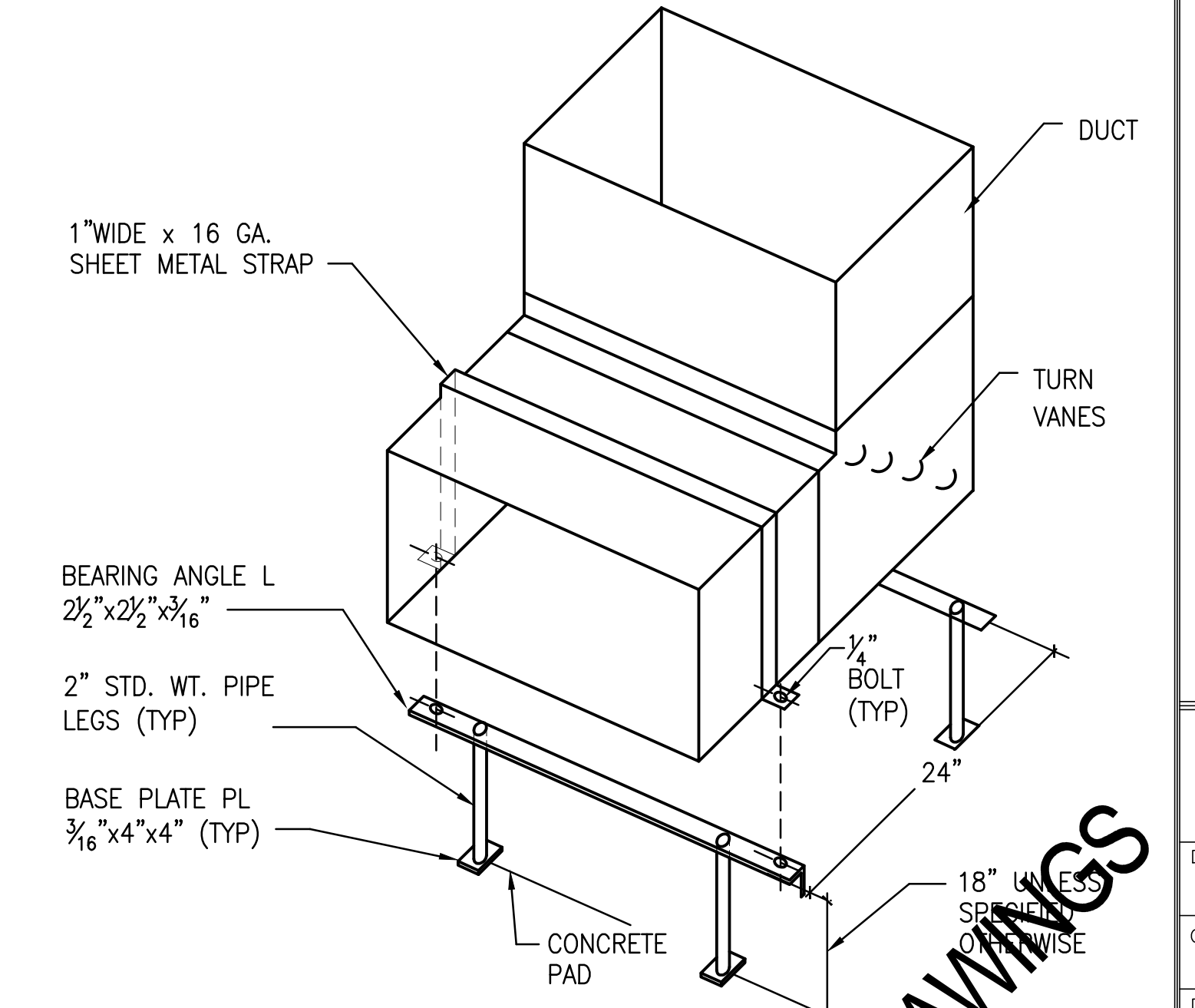
AIR HANDLING UNIT MOUNTING



CHILLER DIAGRAM CH-1 & CH-2



POWER EXHAUST SUPPORT DETAIL



DUCT SUPPORT DETAIL

PRIME CONTRACTOR: POJUAQUE PUEBLO SERVICES



DESIGN FOR:
BUILDING 1408
REPLACE CHILLER, BOILER AND AHU'S
EDWARDS AIR FORCE BASE, CALIFORNIA 93523-8450

QUOTE/DWG #:

DRAWN BY: TS

CHECKED BY:

DATE: 12/05/2008

SCALE: AS NOTED

REVISION HISTORY

1	
2	
3	
4	
5	

PROJECT FA9301-06-D-0010

GLENDALE OFFICE
11111 GLENDALE BLVD
GLENDALE, CA 91201
TEL: (626) 998-9700
FAX: (626) 998-9701

CAMARILLO OFFICE
SUITE 201
10000 CAMARILLO BLVD
CAMARILLO, CA 93022
TEL: (805) 997-4001
FAX: (805) 997-4004

BUDLONG & ASSOCIATES, INC.
CONSULTING ENGINEERS

JOB NO. 08-038

J:\08-038 - EWB Building 1408 - Chiller, Boiler, AHU's - Western\08-038 - M-3.4.dwg, 11/2/2009 9:22:48 AM