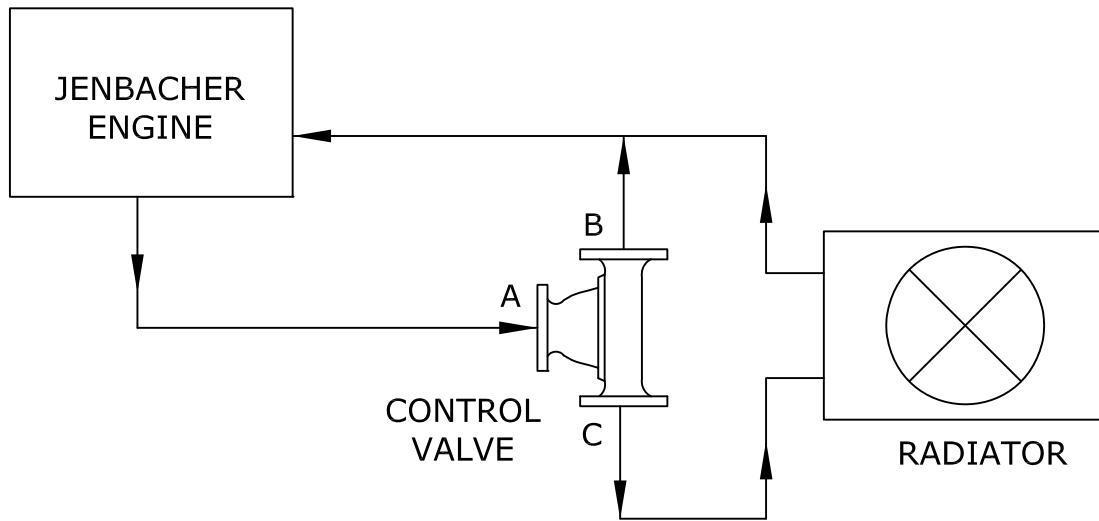
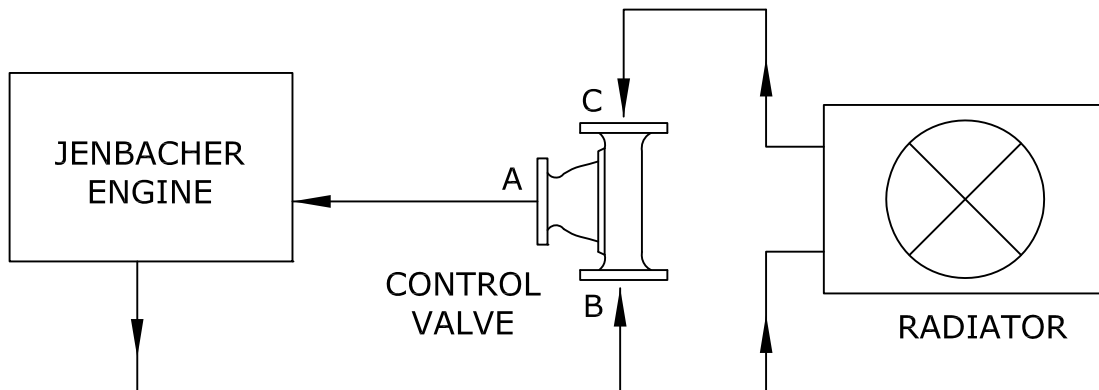


THERMOSTATIC VALVE



DIVERTING SYSTEM



MIXING SYSTEM

NOTE DIRECTION OF FLOW ON THE
JENBACHER P&ID DRAWING
TO DETERMINE VALVE SYSTEM
REQUIRED FOR INSTALLATION