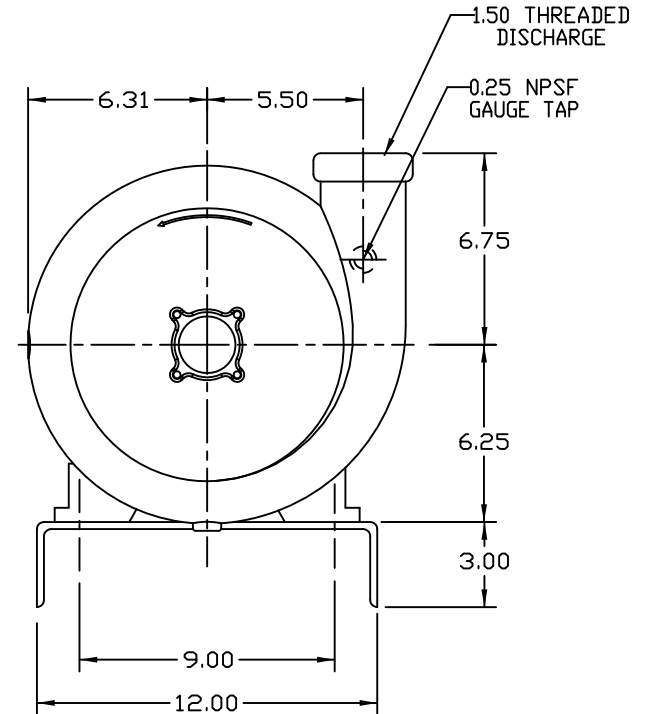
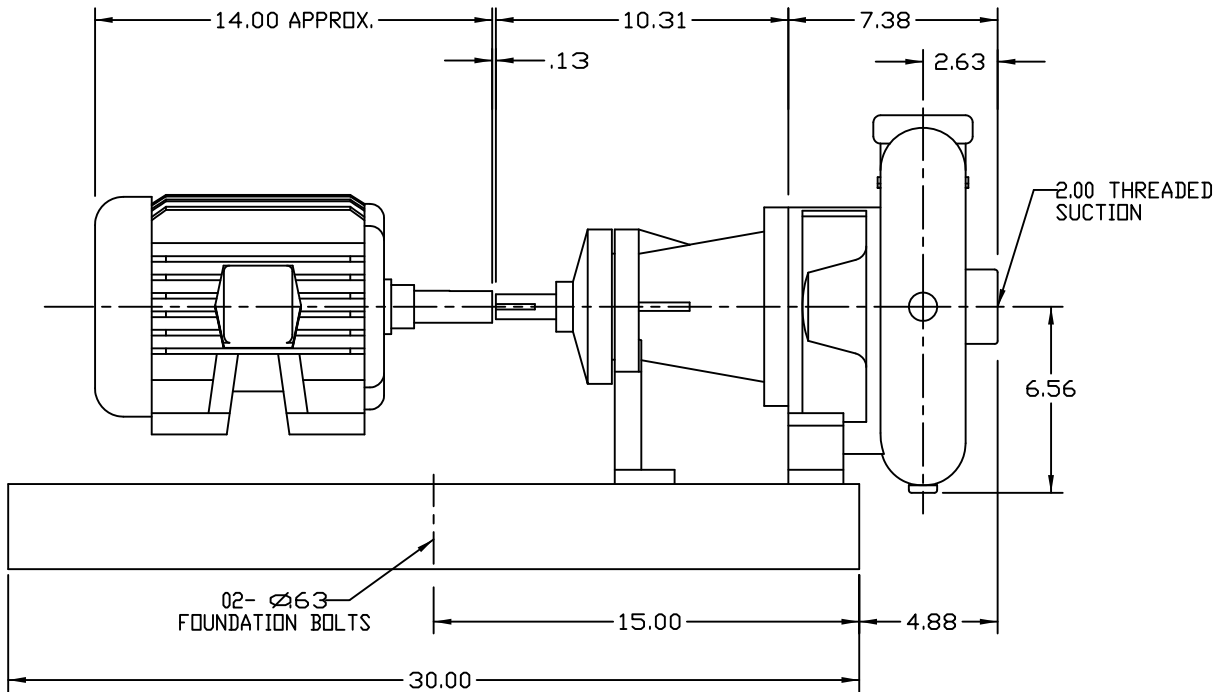
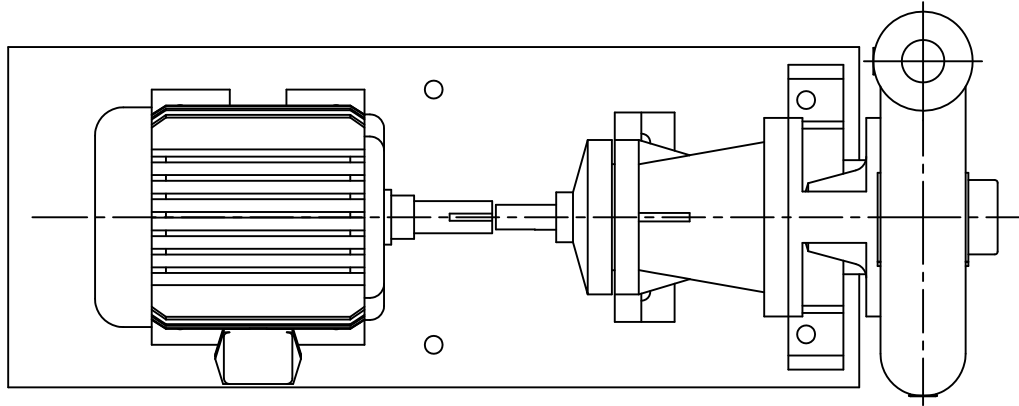


PART NUMBER  
344A-5X2X9P1R1THDF5184T

ITEM	QTY	PART NUMBER	DESCRIPTION
1	1	184T_MOTOR	
2	1	341A_1-5X2X9	
3	1	FRAME_1_CB-9	
4	1	FS_BASE_12X30X3	



- NOTES:
1. ALL DIMENSIONS IN INCHES.
  2. DIMENSIONS MAY VARY ±.25
  3. COUPLING GAP MAY VARY .13 TO 1

REV	ZONE	DATE	REVISION DESCRIPTION	BY	CK'D

MATERIAL:	-	
<b>ap AURORA</b> PUMP GROUP		
<small>COMPANY CONFIDENTIAL. Information contained herein is confidential. It is the property of Aurora Pump. It is to be used solely for the purpose provided and it is not to be disclosed to others without prior written consent of Aurora Pump.</small>		
DO NOT SCALE DRAWING	344A PUMPS ON FORMED STEEL BASE	
	DRAWN BY DS	DATE 05/24/04
PLOT SCALE 0.300	CHECKED BY JLF	APPROVED BY CSJ
	PATTERN NUMBER -	SIZE C
	PART NUMBER 344A1-5X2X9P1R1THDF5184T	REV -