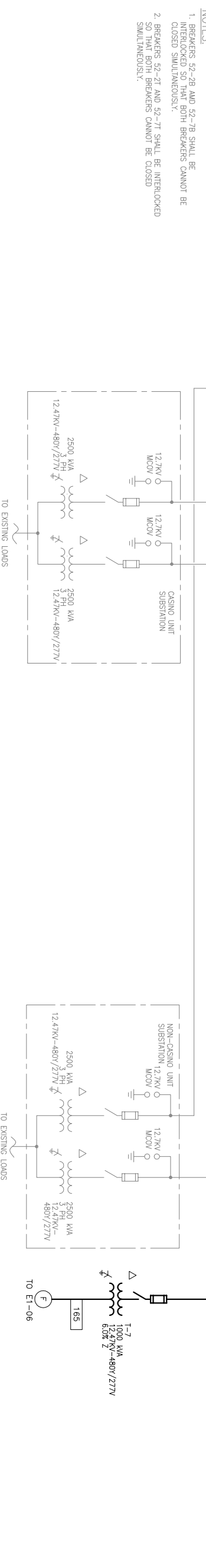
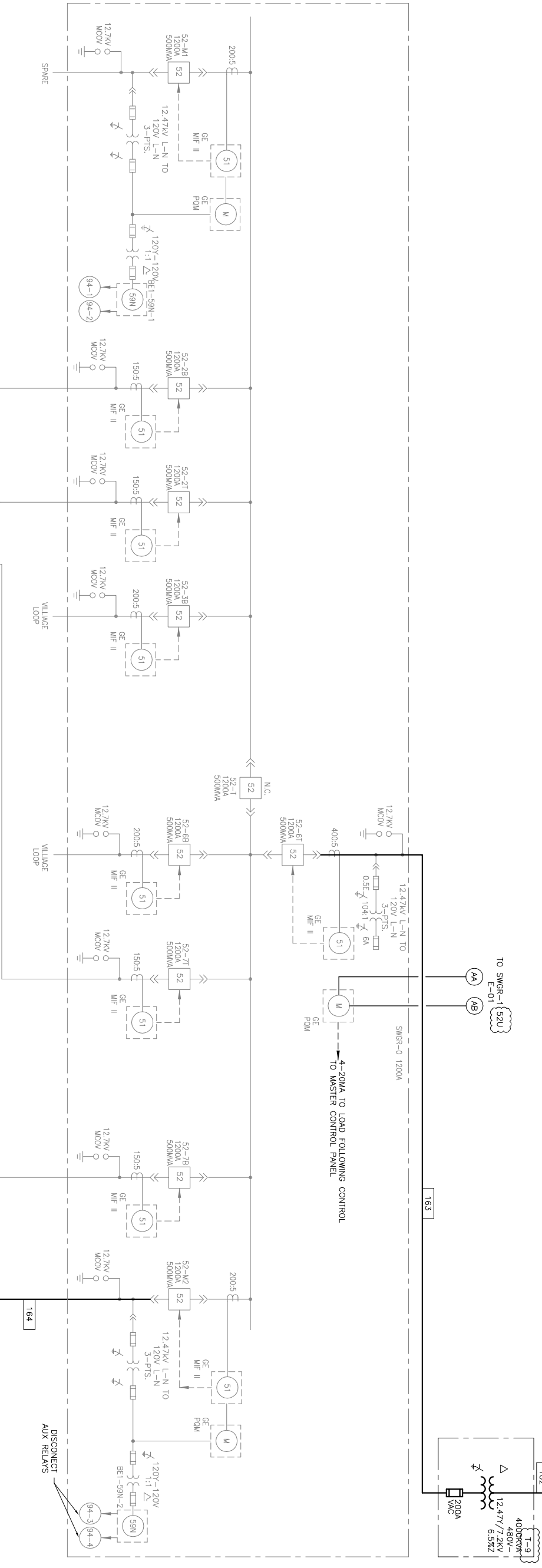
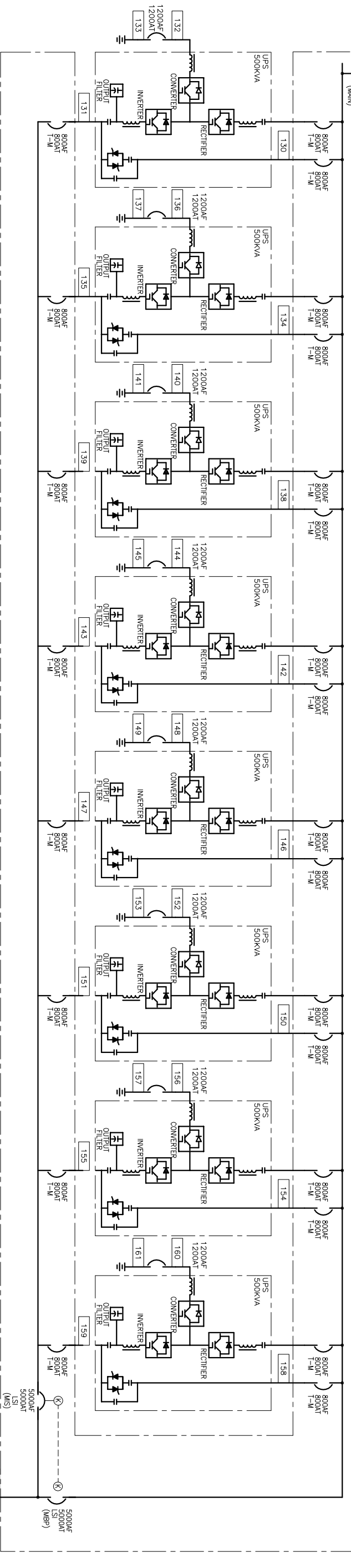


THE CABINET 480V, 3-PHASE, 3-W+G, 5000A, 100MVA, IJ-891

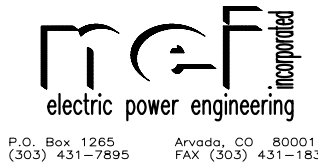


- NOTES:
1. BREAKERS 52-28 AND 52-78 SHALL BE INTERLOCKED SO THAT BOTH BREAKERS CANNOT BE CLOSED SIMULTANEOUSLY.
  2. BREAKERS 52-21 AND 52-71 SHALL BE INTERLOCKED SO THAT BOTH BREAKERS CANNOT BE CLOSED SIMULTANEOUSLY.

REVISIONS				
NO.	DATE	DWN.	CHK.	
A	11/24/10	KM	KM	FOR REVIEW
B	8/5/11	KM	KM	ISSUED FOR PERMIT
C	XX/XX/XX	KM	KM	REVISED METERING
D	7/17/12	G DY	G DY	RECORD DRAWING
0	3/17/13	JDB	JDB	REVISED PER CLIENT COMMENTS

GENERATION ADDITION  
Colusa Indian Community Council 3730 Highway 45, Colusa, CA 95932

ONE-LINE DIAGRAM



P.O. Box 1265 Arvada, CO 80001  
(303) 431-7895 FAX (303) 431-1836

ENGINEERED BY  
KM  
DRAWN BY/CHECKED  
G DY  
DATE 4/3/12  
SCALE N/A  
JOB NO. 2287  
E1-02