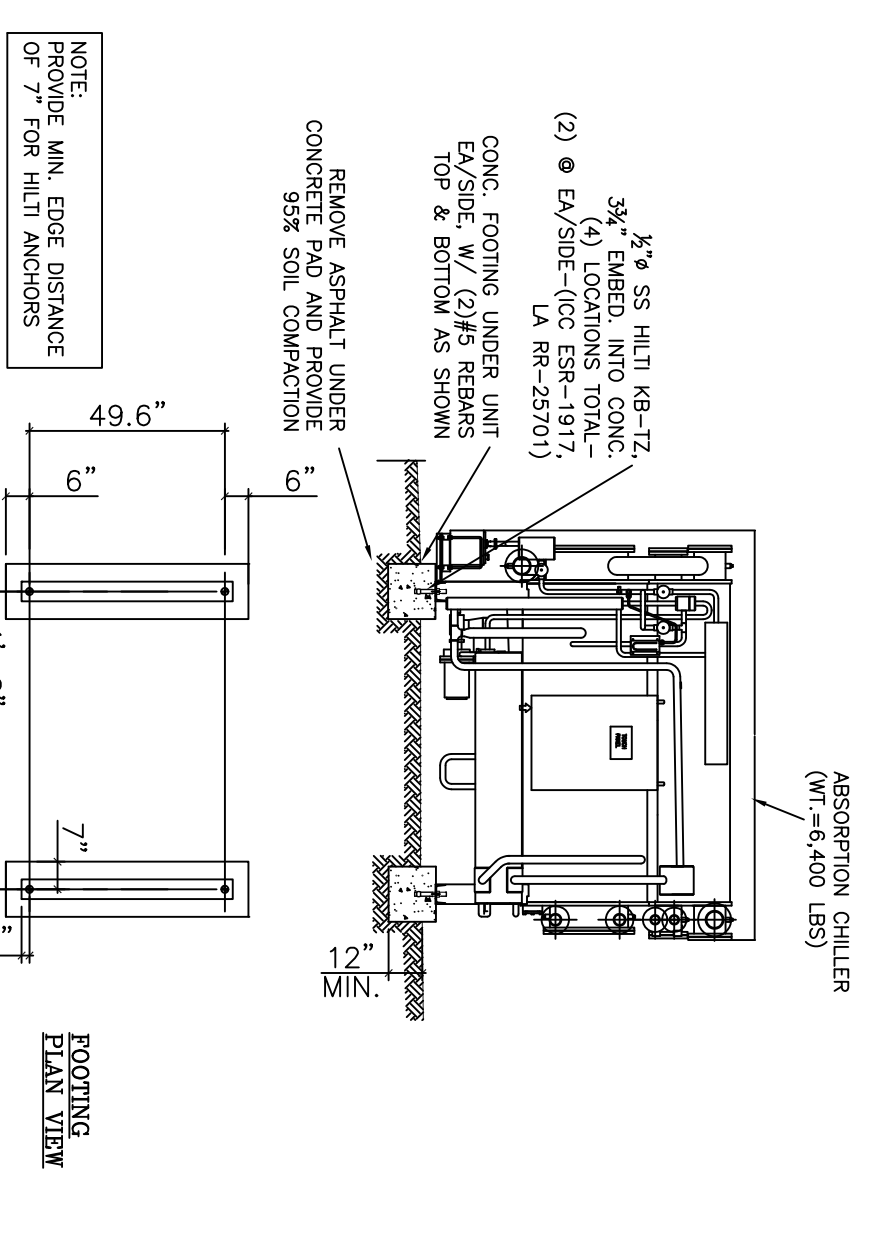


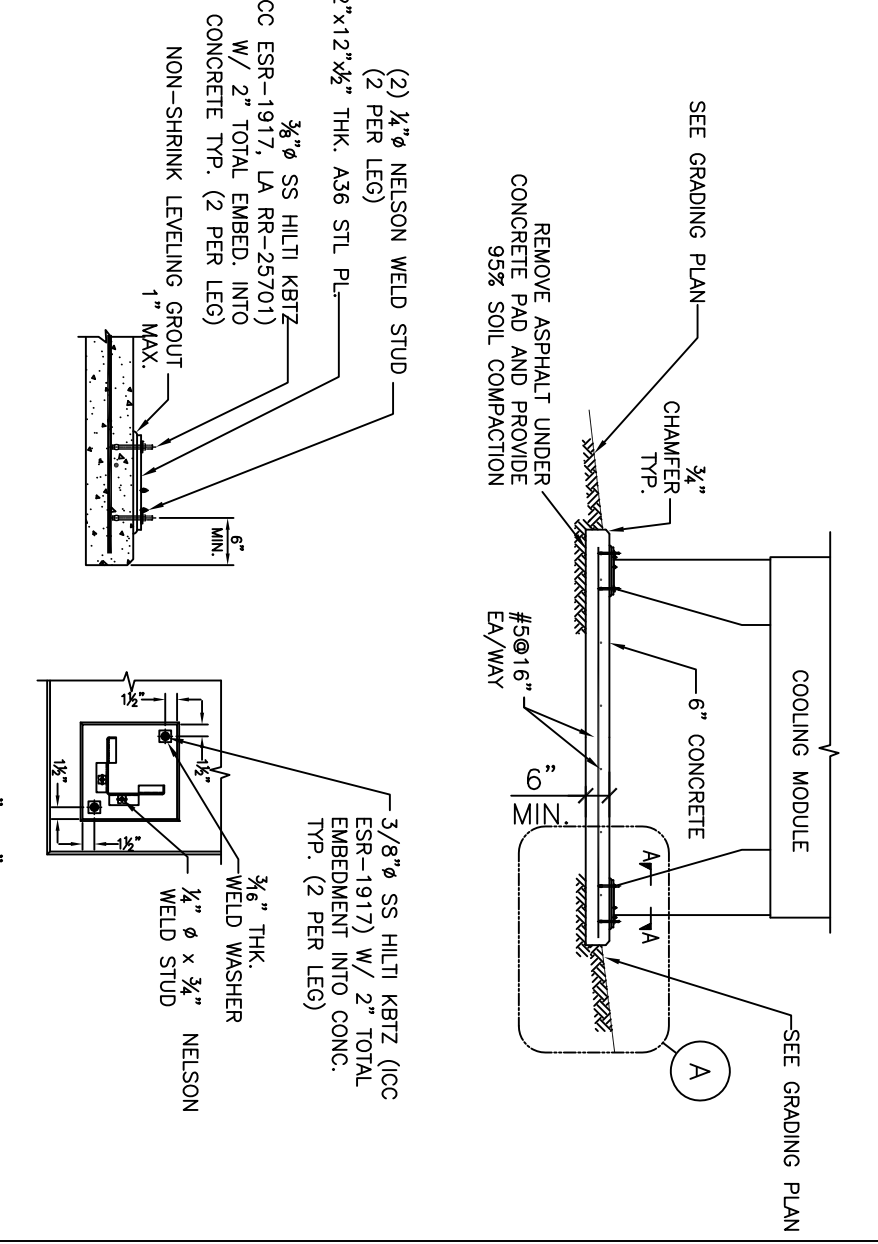
FUEL CELL TO CONCRETE PAD ANCHORAGE DETAIL

1



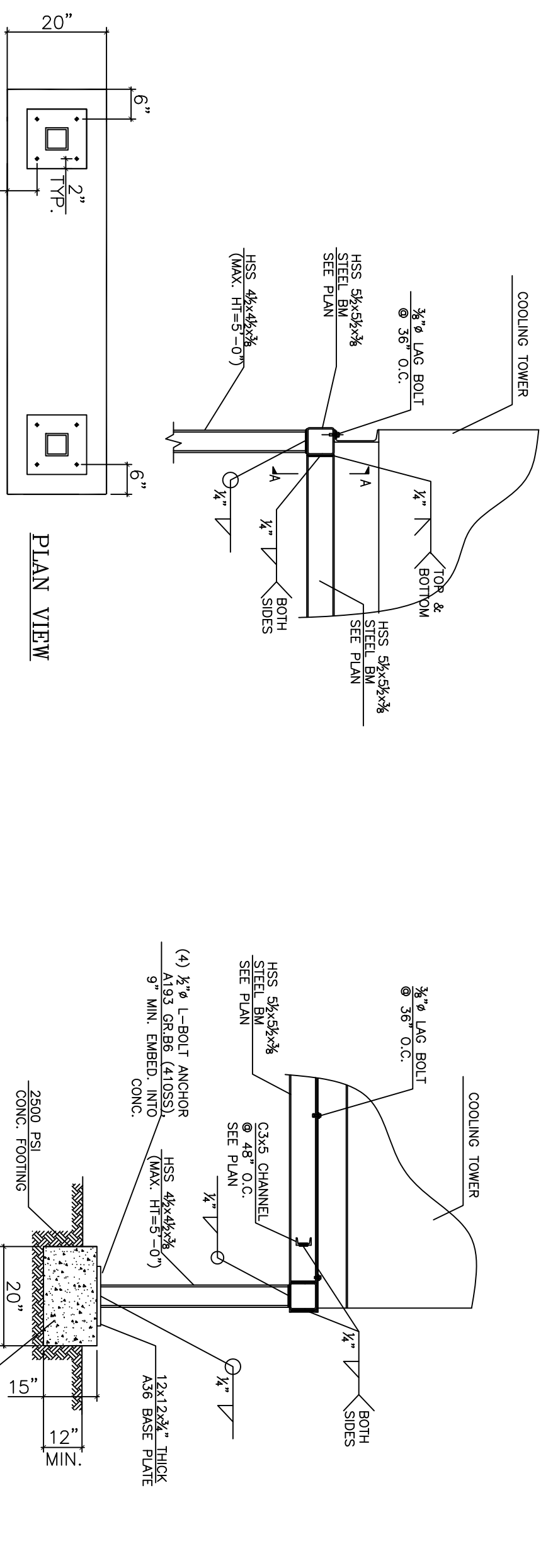
ABSORPTION CHILLER TO CONCRETE PAD ANCHORAGE DETAIL

2



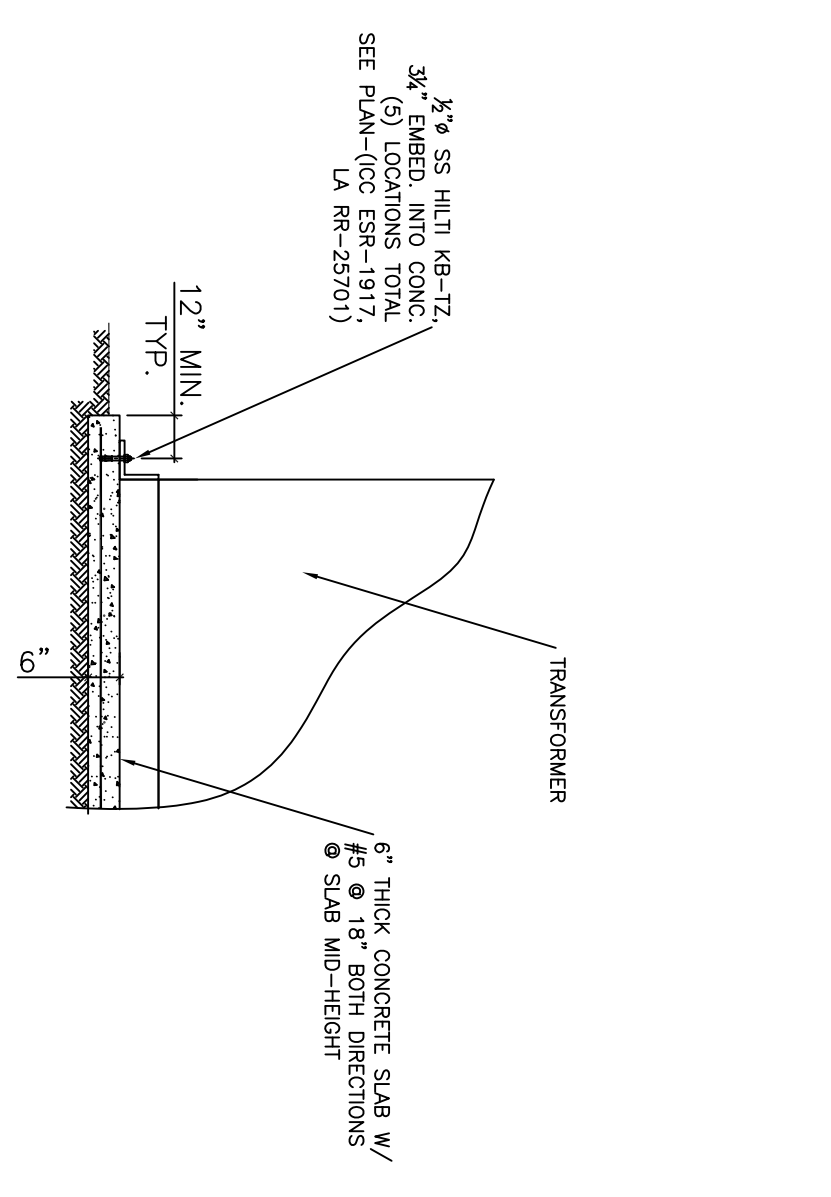
COOLING MODULE ANCHORAGE DETAIL

3



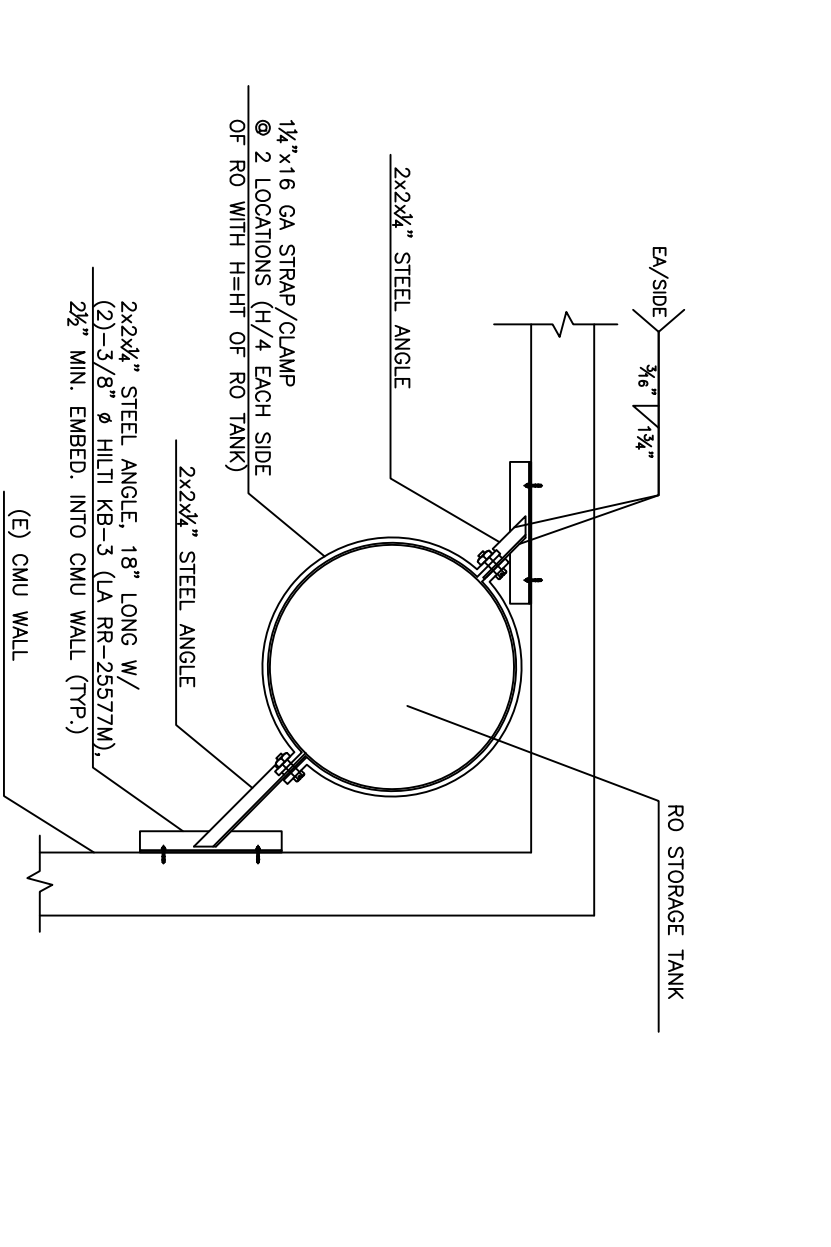
COOLING TOWER ANCHORAGE DETAIL

4



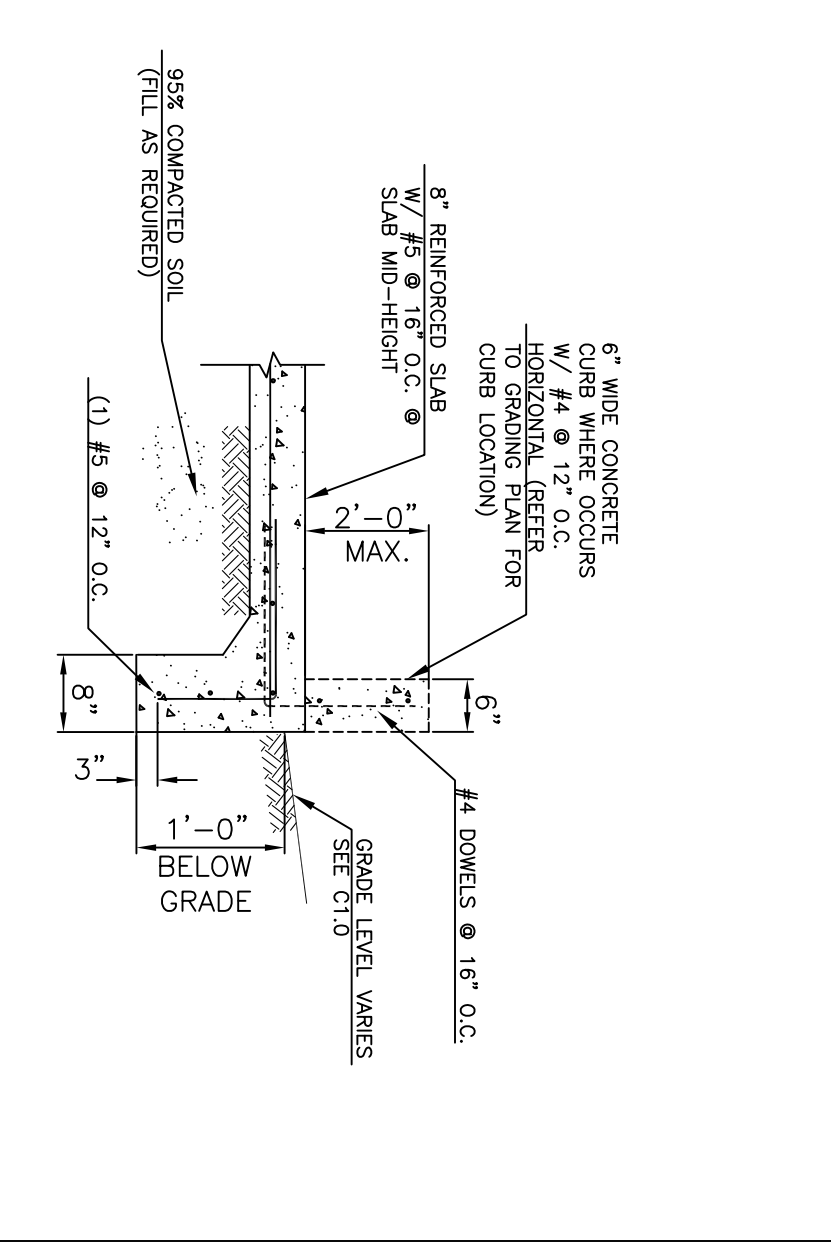
TRANSFORMER ANCHORAGE DETAIL

5



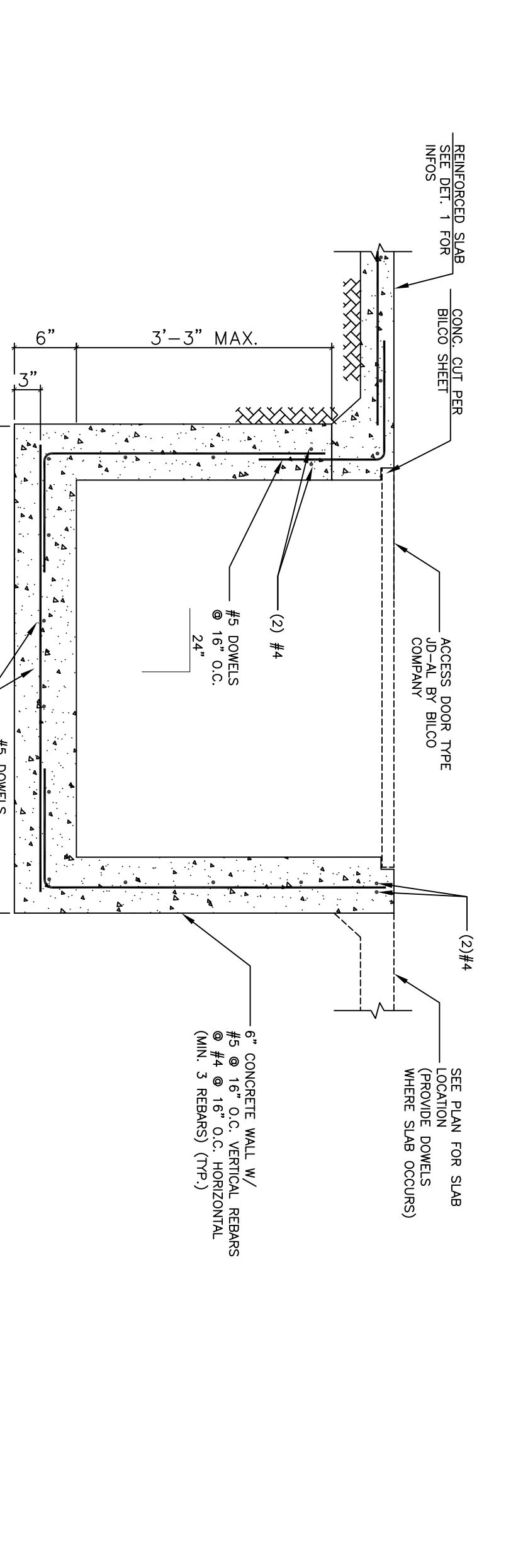
STORAGE TANK BRACING DETAIL

7



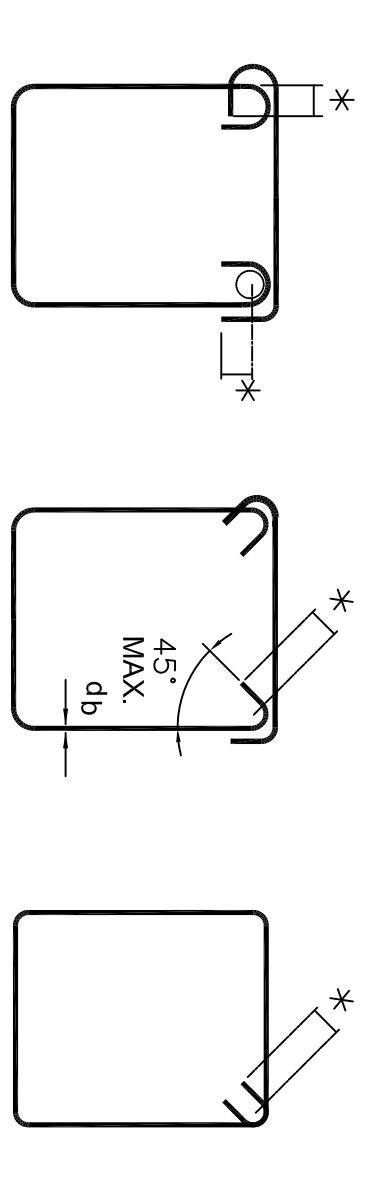
CONCRETE FOOTING DETAIL (AT CURB CONDITION)

8

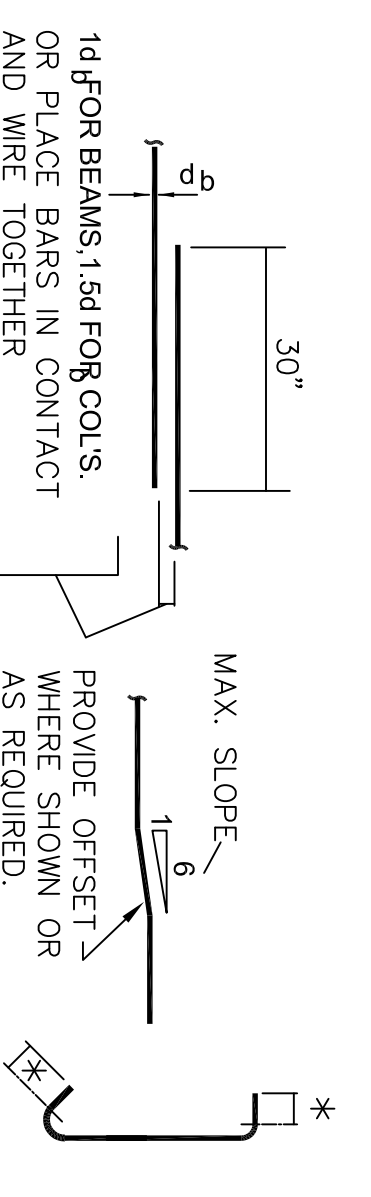
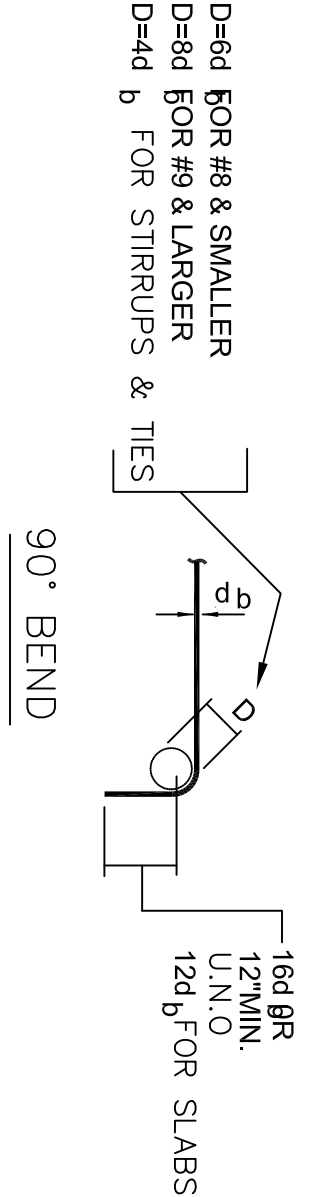


ACCESS GATE CMU WALL TYPICAL DETAIL

9



NOTE: \* = 6d<sub>s</sub> OR 3" MIN.



REBAR BENDING + SPLICE

6

STRUCTURAL DETAILS

ID	DATE	REMARKS	ID	DATE	REMARKS
1	7/02/12	PRELIMINARY DESIGN REVIEW	6	11/15/12	PLAN CHECK CORRECTIONS
2	8/20/12	PLAN CHECK			
3	9/4/12	BID CLARIFICATIONS			
4	9/19/12	UTC RECOMMENDED CORRECTIONS			
5	9/25/12	UTC COMMENTS/REVISIONS			

CBS TELEVISION STUDIOS FUEL CELL INSTALLATION PROJECT

7800 BEVERLY BLVD. LOS ANGELES, CALIFORNIA 90036



5650 Research Dr., Irvine, California 92618  
www.keystonesolutions.com



7470 Roosevelt, Suite 200, Irvine, California 92620  
(949) 387-6940 (Tel) (949) 387-8207 Fax  
www.najarinestructures.com

S2.0

ENGINEER: A.M.  
DRAWN BY: A.M.  
CHECKED BY: E.N.  
DATE: 9/19/12  
JOB NO.: 12-010  
SCALE: AS NOTED

SHEET