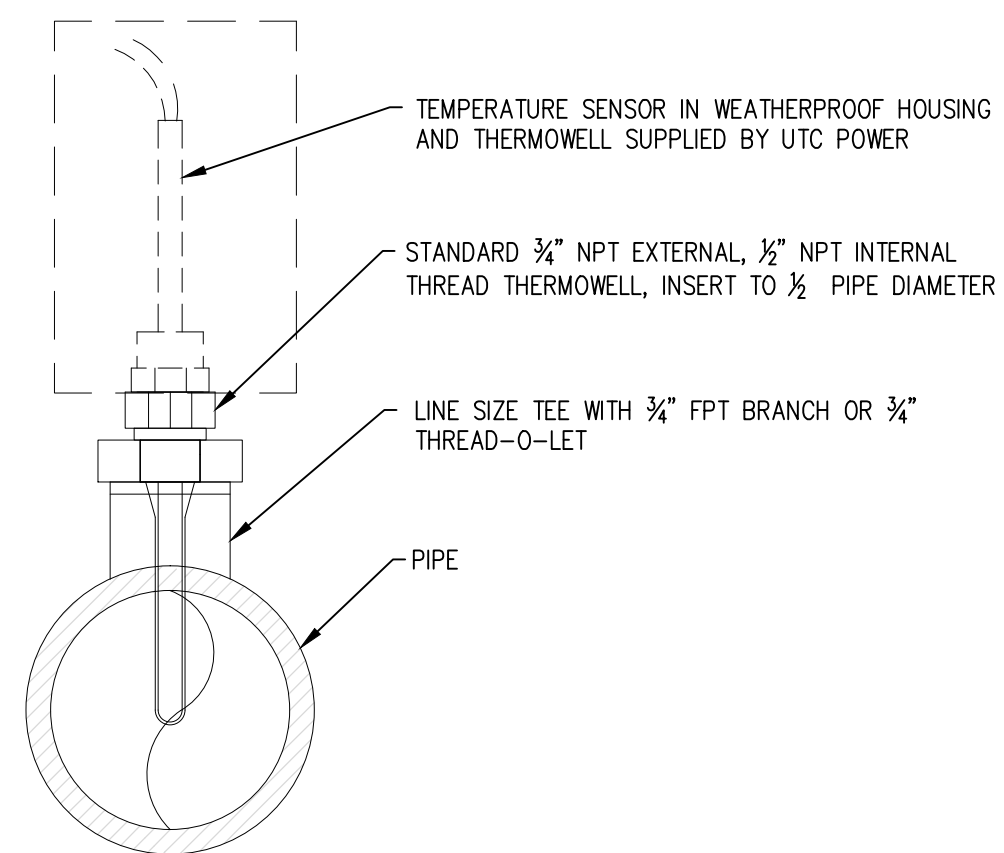


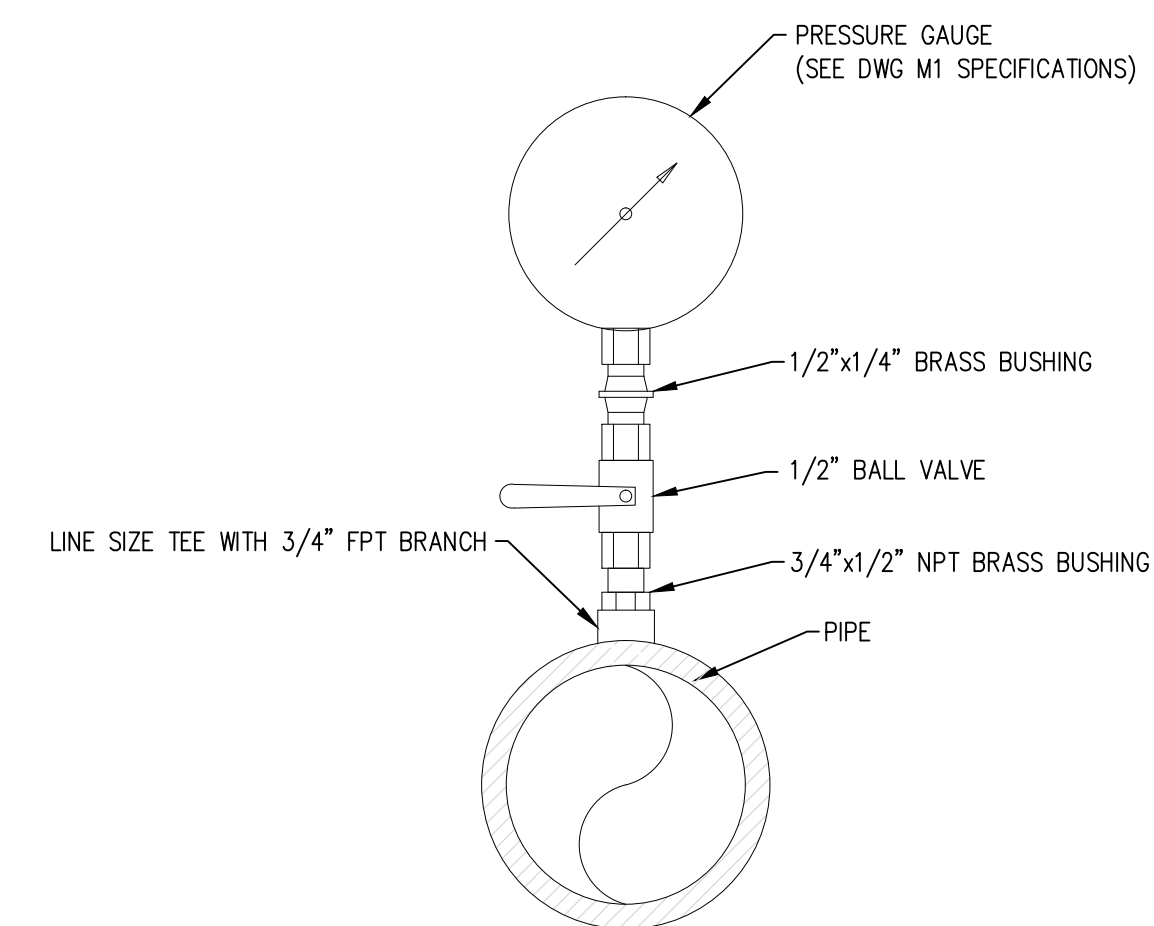
**WATER FLOW METER HOOK-UP DETAIL**  
NOT TO SCALE.

4



**TEMPERATURE SENSOR AND THERMOWELL DETAIL**  
NOT TO SCALE.

3

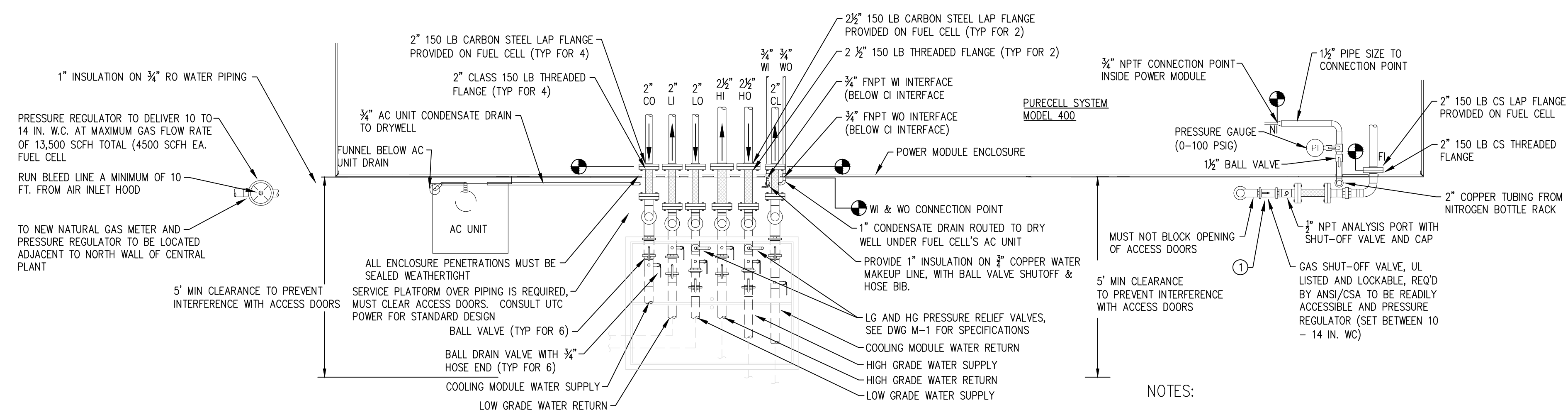
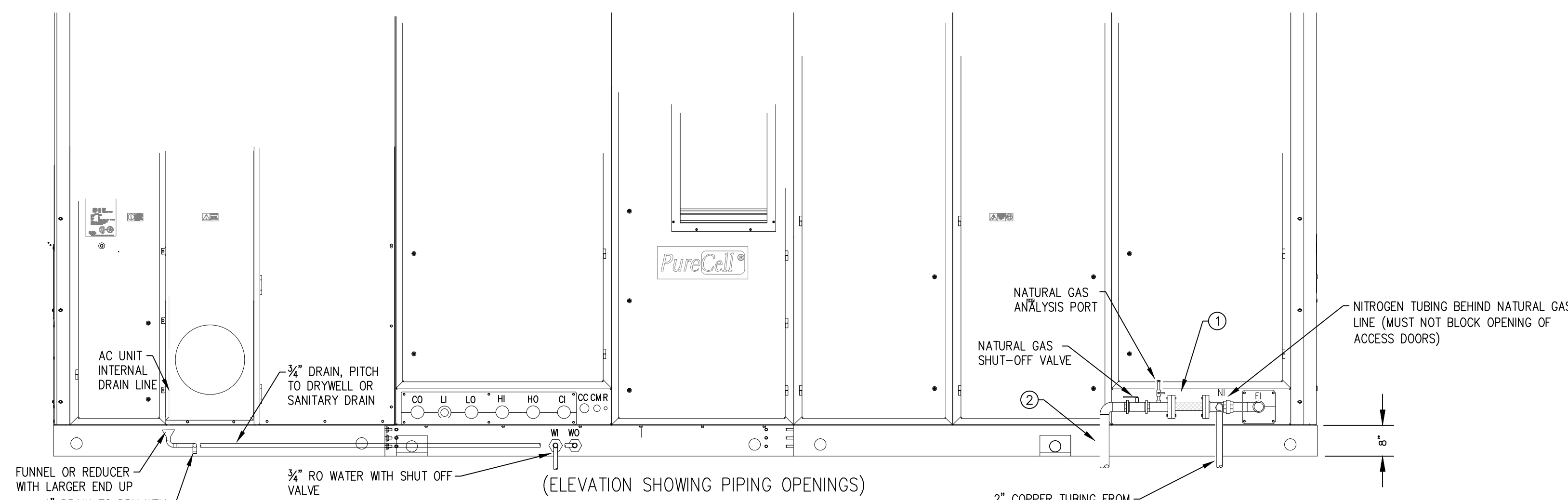


**PRESSURE GAUGE CONNECTION DETAIL**  
NOT TO SCALE.

1

**DETAIL NOTES:**

- ① GAS PIPING FOR FC-1, FC-2 AND FC-3 TO BE 2".
- ② GAS PIPING RISER FOR FC-1, FC-2 AND FC-3 SHALL BE 2".



**NOTES:**

1. PIPING CONNECTIONS AT POWER MODULE TO HAVE DIELECTRIC UNIONS OR EQUIVALENT WHEN CONNECTING DISSIMILAR METALS. COPPER PIPING AND BRONZE BODY VALVES CAN BE USED TO MINIMIZE INTERFERENCES. CARBON STEEL PIPING, FLANGES, AND VALVES CAN BE USED IF SPACE CONDITIONS ALLOW.
2. CONNECTING PIPING MUST BE DESIGNED WITH ADEQUATE ELBOW SWINGS TO PROVIDE FOR EXPANSION AND CONTRACTION. FLEXIBLE PIPE CONNECTORS ARE REQUIRED.



**TYPICAL FUEL CELL PIPING ENTRY DETAIL (PLAN & ELEVATION VIEWS)**  
NOT TO SCALE.

2

**CBS TELEVISION CITY  
FUEL CELL INSTALLATION PROJECT**

**FUEL CELL PIPING CONNECTION DETAILS**

ID	DATE	REMARKS
1	17/02/12	PRELIMINARY DESIGN REVIEW
2	18/20/12	PLAN CHECK
3	19/04/12	100% CLARIFICATIONS
4	19/09/12	UTC RECOMMENDED CORRECTIONS
5	19/25/12	UTC COMMENTS/REVISIONS

ENGR BY:	WTB
DRWN BY:	WTB
CHK'D BY:	WTB
DATE:	9/19/12
JOB NO.:	12-010
SCALE:	AS NOTED

SHEET  
**M4.1**

**KEYSTONE**  
Engineering Solutions, Inc.  
9550 Research Dr., Irvine, California 92618  
www.keystone.com

This drawing and the design herein are the property of Keystone Engineering Solutions, Inc. and shall not be used for any other use of this drawing without their written consent. It is intended for use only for the project and site conditions specified on the drawing.

7800 BEVERLY BLVD.  
LOS ANGELES, CALIFORNIA 90036